

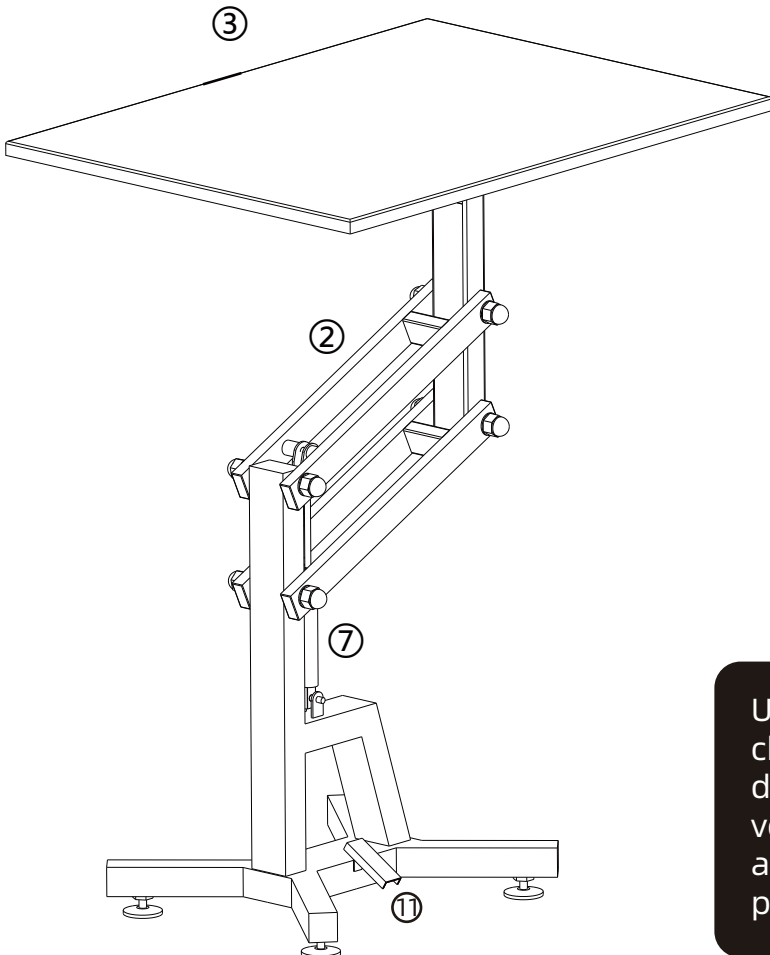
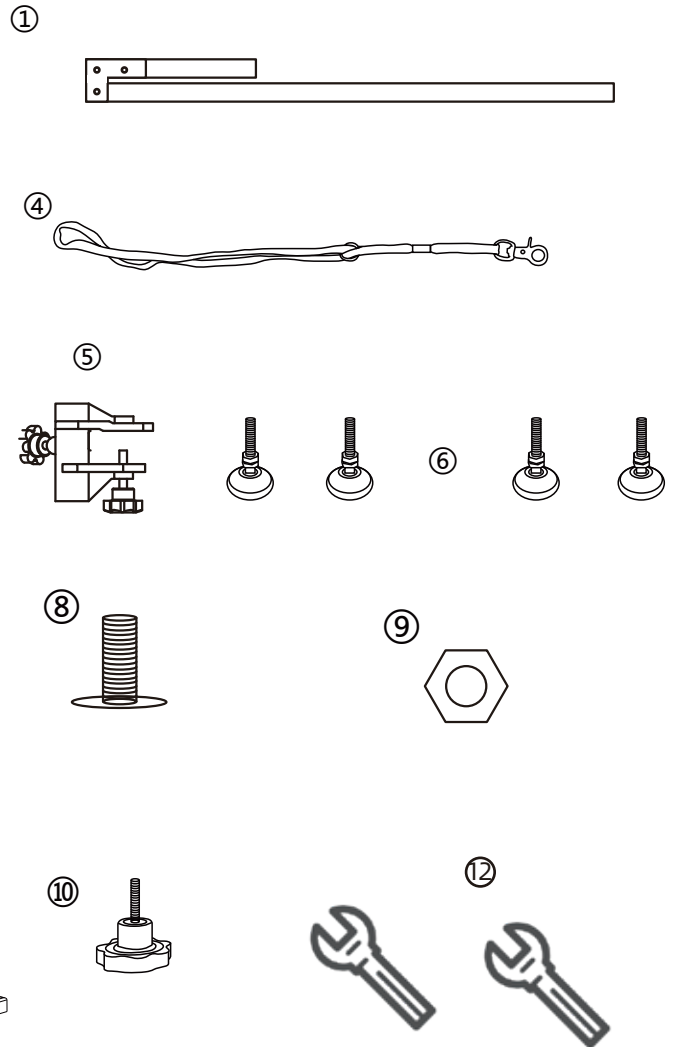


FT-832 Air-Lifting Pet Grooming Table



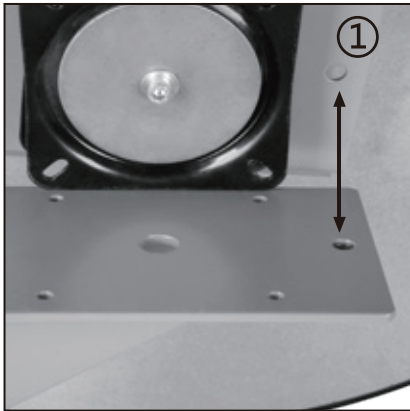
User Manual

No	Parts	Qty
①	Hex grooming arm	1
②	Grooming table frame	1
③	Non-slip tabletop	1
④	Nylon rope	2
⑤	Clamp	1
⑥	Foot leveler	4
⑦	Pneumatic pusher	1
⑧	M6x16 screw	4
⑨	M6 nut	4
⑩	M10x50 handle screw	1
⑪	Foot pedal	1
⑫	Wrench	2



Upon receiving the product, please first check if the packaging is severely damaged. Open the packaging and verify if all parts are included. If there are any quality issues or missing parts, please contact us promptly.

Installation Instructions



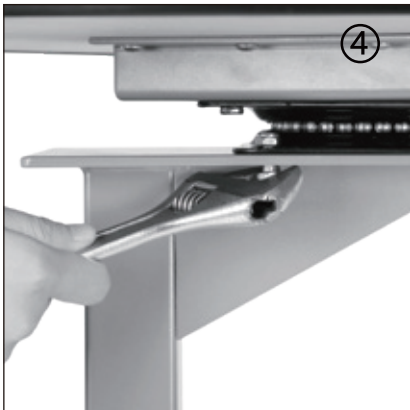
Align the holes on the tabletop with the holes on the frame and place them together. (Note: Align the holes in the arrow-marked area first.)



Securely fasten the tabletop with M10*50 handle screws.



Install screws and nuts onto the tabletop.



Use a wrench to tighten the screws.



Insert the grooming arm and securely fasten the clamp to the tabletop.



FT-831 installation is complete.

Warnings

- 1.This product is not intended for use by individuals with physical disabilities, delayed reactions, or mental disorders (including children), unless supervised by a caregiver who can provide guidance on its use and take responsibility for the user's safety.
- 2.Keep children away from the lifting range of this product to prevent accidents.
- 3.Do not disassemble the product yourself if there are abnormalities or malfunctions during use.
- 4.Do not rinse with water or submerge in water.
- 5.Avoid humid environments and keep the surroundings dry.
- 6.Rinsing or submerging in water may damage pneumatic control components.
- 7.Avoid contact with corrosive liquids or solids.
- 8.To clean the tabletop, frame, and pump, use a dry cloth and an air blower to remove surface residues such as hair, excrement, water stains, and other dirt.

Limited Warranty Statement

Warranty Terms

Your table is guaranteed free from material and manufacturing defects. The purchaser is covered for six months from the date of purchase (limited to air-lifting pump components only). In case of malfunction during the warranty period, please contact our company or your local distributor promptly for assistance and resolution.

To claim warranty service, please provide the invoice and other supporting documents. In case of loss, the warranty period will be calculated from one month after our factory date code plus six months.

Warranty Coverage

This warranty does not cover faults and damages resulting from operating environment, natural causes, or improper maintenance.

Limitation of Liability

Under no circumstances shall our company be liable for third-party claims you incur (including special, incidental, or consequential damages), or any economic loss such as profits, business revenue, goodwill, or anticipated savings.